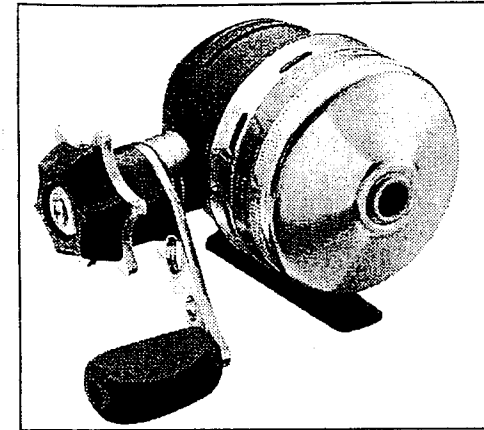
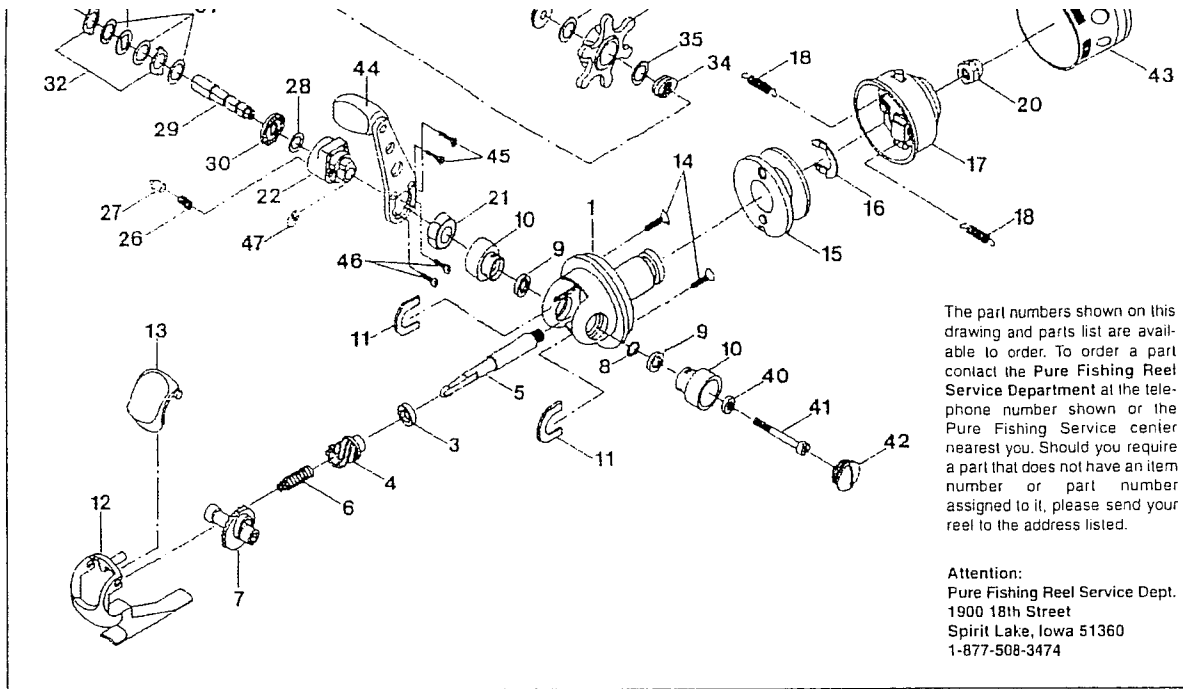


# Abu Garcia®



## abumatic 211



The part numbers shown on this drawing and parts list are available to order. To order a part contact the Pure Fishing Reel Service Department at the telephone number shown or the Pure Fishing Service center nearest you. Should you require a part that does not have an item number or part number assigned to it, please send your reel to the address listed.

Attention:  
Pure Fishing Reel Service Dept.  
1900 18th Street  
Spirit Lake, Iowa 51360  
1-877-508-3474

| Key # | PART NAME                    | PART NO. | Key # | PART NAME                 | PART NO. |
|-------|------------------------------|----------|-------|---------------------------|----------|
| 1     | Body                         | 1068000  | 31    | Drag Washer (3)           | 51247    |
| 3     | Pinion Bushing               | 1068253  | 32    | Eared Drag Washer (2)     | 51248    |
| 4     | Pinion                       | 1068255  | 33    | Keyed Drag Washer         | 51249    |
| 5     | Main Shaft                   | 1068256  | 34    | Drag Spring               | 51250    |
| 6     | Main Shaft Spring            | 1068257  | 35    | Drag Spring Washer        | 1068258  |
| 7     | Drive Gear                   | 51218    | 36    | Drag Star Ass'y           | 1068452  |
| 8     | Drive Gear Washer            | 51219    | 37    | Drag Star Washer          | 51254    |
| 9     | Drive Gear Bushing (2)       | 51221    | 38    | Drag Retainer             | 51255    |
| 10    | Drive Gear Holder (2)        | 1068454  | 39    | Drag Screw                | 51256    |
| 11    | Drive Gear Holder Washer (2) | 51226    | 40    | Crank Mtg. Washer         | 51257    |
| 12    | Graphite Foot                | 1068001  | 41    | Crank Mtg. Insert         | 51258    |
| 13    | Thumb Button                 | 51228    | 42    | Side Cap                  | 51259    |
| 14    | Foot Screw (3)               | 1068002  | 43    | Front Cone Assembly       | 1080893  |
| 15    | Spool                        | 1068003  | 44    | Crank Ass'y               | 1068451  |
| 16    | Spool Clip                   | 1068004  | 45    | Upper Crank Arm Screw (2) | 51265    |
| 17    | Pick-up Housing Ass'y        | 1068005  | 46    | Lower Crank Arm Screw (2) | 51266    |
| 18    | Pick-up Arm Spring (2)       | 1068006  | 47    | Crank Mtg. Stem Washer    | 51267    |
| 20    | Pick-up Housing Nut          | 1068007  |       |                           |          |
| 21    | One-way Clutch Bearing       | 51240    |       |                           |          |
| 22    | Crank Arm Holder Ass'y       | 51241    |       |                           |          |
| 26    | Click Piston Spring          | 51242    |       |                           |          |
| 27    | Click Piston                 | 51243    |       |                           |          |
| 28    | Front Drag Washer            | 51244    |       |                           |          |
| 29    | Crank Mtg. Stem              | 51245    |       |                           |          |
| 30    | Click Ratchet                | 51246    |       |                           |          |

| Model         | 211   |
|---------------|---|
| Bearings      | 2   |
| Gear Ratio    | 4.1:1   |
| Line Capacity | 8 lb./110 yd.<br>10 lb./100 yd.<br>0.25 mm/100 M<br>0.38 mm/ 90 M |
| Anti-Reverse  | 1AR   |
| Reel Wt.      | 9.1 Oz.<br>258 Grams  |

See us on the web: [www.purefishing.com](http://www.purefishing.com)